



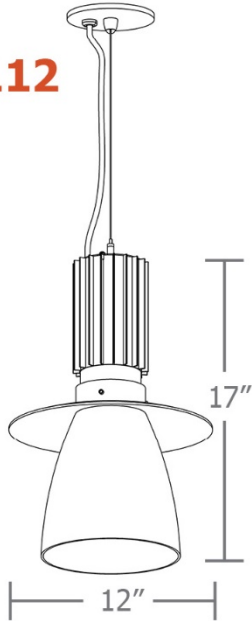
mel.o™ 5-slider

your lighting rep has
recommended the **mel.o™**
pendant for your project
Let's take a quick look:

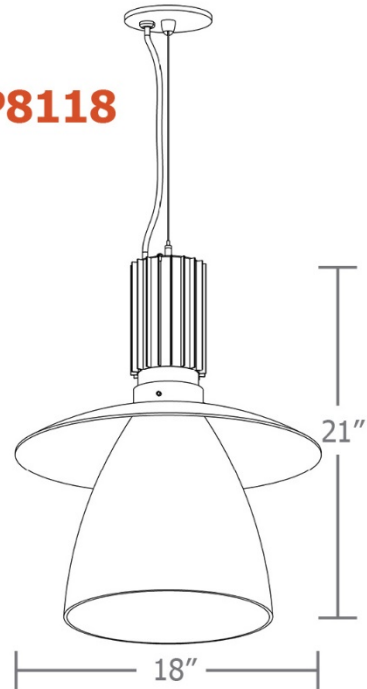


sizes and lumens

P8112



P8118



- P8112 (12") / 1750 – 4350 lm
- P8118 (18") / 1750 – 4350 lm



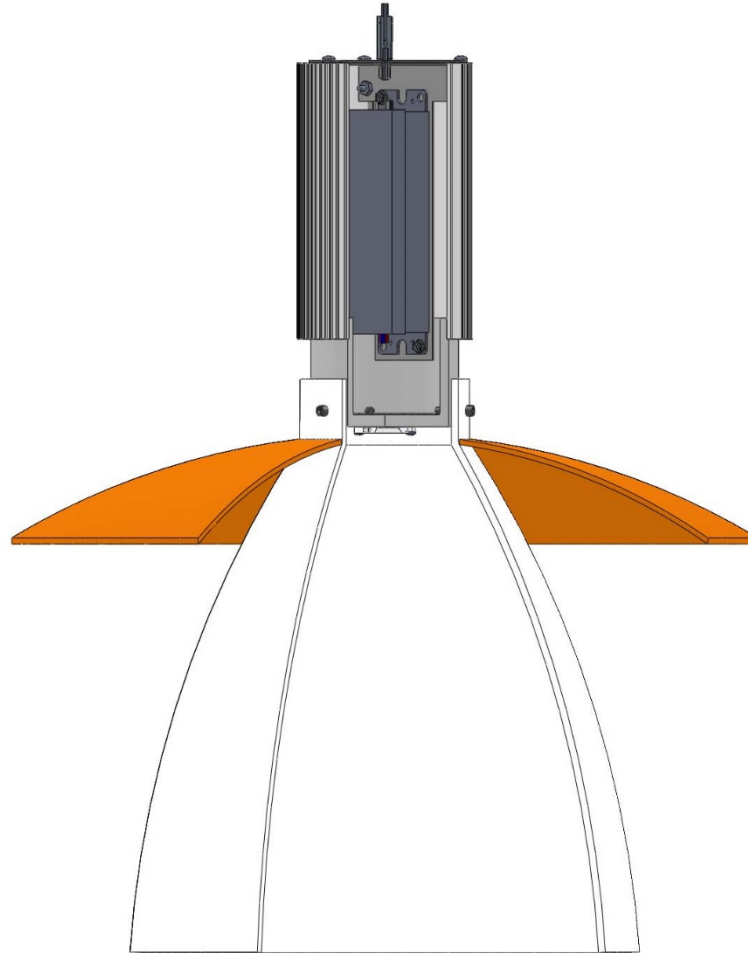
construction

5" dia. spun steel canopy with single or dual field adjustable stainless-steel cables

integral programmable driver, constant current , universal input (120-277v), field maintainable, 0-10v controllable, 1% dimming.

single COB LED module in 80+ CRI standard or optional 90 CRI.
2700K, 3000K, 3500K and 4000K.

.25" open bottom parabolic matte white acrylic diffuser, translucent acrylic top dome in amber, blue, or white



2 anodized finishes, 18 standard powder coat painted finishes + custom RAL colors

optional (POC) power over cable suspension system provides a clean look without the need for a separate power cord

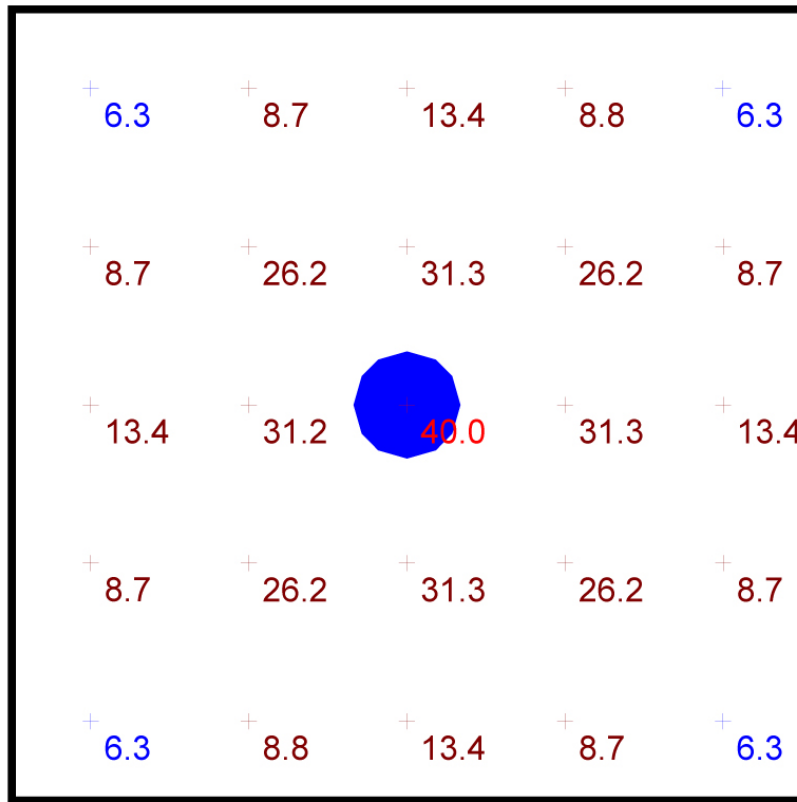
optional colored cloth power cord in blue, orange, purple, red, or white & gray dot

optional frosted acrylic bottom lens, solvent welded to bottom of parabolic diffuser

performance

Statistics

Description	Symbol	Avg	Max	Min	Max/Min	Avg/Min
mel.o	+	16.7 fc	40.0 fc	6.3 fc	6.3:1	2.7:1



Plan View
Scale - 1" = 2ft

- 10' x 10' x 14'H space
- 80/50/20 reflectances
- bottom of fixture at 10' aff
- FC readings at 2.5' aff
- layout conducted using P8112 HI lumen package (3200 delivered lumens)





www.impactltg.com

- spec sheet and color chart
- photometric files and BIM models
- built to order in Saint Louis, MO, USA
- 4-week lead time

mel.o™ 5-slider

